



# 全讯精密机械

QUANXUN PRECISION MACHINERY



2020 诚信合作 共赢未来

| 专注 | 品质 | 诚信 |



电话 (TEL) | 0574-87008792  
传真 (FAX) | 0574-87008793  
网址 (Web) | [www.nbquanxun.com](http://www.nbquanxun.com)  
邮箱 (E-mail) | [js@nbquanxun.com](mailto:js@nbquanxun.com)  
地址 | 宁波市海曙区古林镇前虞村  
Address | Qianyu village, Gulin Town,  
Haishu District, Ningbo

宁波全讯精密机械有限公司  
Ning boquanxun Precision Machinery Co., Ltd

# COMPANY PROFILE

## 公司简介

优质 / 专业 / 诚信

宁波全讯精密机械有限公司是一家专业生产精密传动配件的科技型企业，核心业务为蜗杆 (Worm Shaft)、高精度微型轴 (Shaft)、五金件 (PIN) 等各种传动轴芯。创建于2017年,现有固定资产2000万元,员工约60人,其中35%为专业技术及管理人员。公司拥有先进的设备,并通过营造开放而富有竞争性的用人环境,聚集了一批经验丰富的制轴专家,年产高精度传动轴达1500多万支。公司积极引进日本和德国的先进工艺设备和管理模式,已通过IATF16949认证的国际质量体系,能提供符合欧盟RoHS标准的报告。产品种类达200多种。产品广泛应用于汽车、医疗器械、家电、通讯、机械仪表、微型电机等精密产业,并建立了较为完善的销售渠道,产品不仅畅销国内,还远销港台地区及欧洲、北美各国,可满足客户的不同需求。

一直以来,全讯公司以其精湛的技术,良好稳定的品质,优秀的服务和准确无误的交货期,倍受众多用户的好评和欢迎。全讯人将本着“匠心品质”和“尊崇之道”的经营理念,不断开拓进取,积极提升企业的管理素质和技术水平,竭诚为国内外客户打造一流的产品和服务,成为国内外知名的传动部件供应商。

Ningbo quanxun precision machinery co., ltd. is a professional production of precision drive parts of the technology enterprises, the core business for Worm Shaft (Worm Shaft), precision miniature Shaft (Shaft), hardware (PIN) and other Shaft core. Founded in 2017, it has fixed assets of 20 million yuan and about 60 employees, among which 35% are professional technical and managerial personnel. The company has advanced equipment, and by creating an open and competitive employment environment, gathered a group of experienced shaft experts, the annual output of high precision shaft up to more than 15 million. The company actively introduces advanced technology equipment and management mode from Japan and Germany, has passed IATF16949 certification of international quality system, and can provide reports in accordance with the European RoHS standards. There are more than 200 kinds of products. Products are widely used in automotive, medical devices, home appliances, communications, mechanical instruments, micro motor and other precision industries, and established a more perfect sales channels, products not only sell well in China, but also exported to Hong Kong and Taiwan, Europe, North America, to meet the different needs of customers.

All the time, quanxun company with its exquisite technology, good stable quality, excellent service and accurate delivery time, by many users praise and welcome. Based on the business philosophy of "craftsmanship quality" and "respect the way", quanxun staff will keep forging ahead, actively improve the management quality and technical level of the enterprise, and strive to create first-class products and services for customers at home and abroad, and become a well-known transmission parts supplier at home and abroad.





## 企业文化篇

ENTERPRISE CULTURE

# THE SPIRIT OF ENTERPRISE

## 企业精神

性质 / 时代 / 发展

“以人为本创造价值创新企业创导行业”为客户创造价值,是我们始终如一的坚持:在这个坚持的过程中,我们将“产品品质”和“服务品质”的理念贯穿始终。公司专门设立一个具有生产研发的生产空间,专业化引进高科技生产设备,倾力打造企业核心竞争力。

以创新创造价值;为创造有远见的产品,为提供给客户高品质、高可靠性的产品,出色的员工们苛求着每个细节。公司注重引进专业设计人才,运用新技术、秉承国际与本土相融合的设计理念,鼓励创新、追求品质,注重质量把产品做到百分之百让客户放心。先进的生产装备、检测仪器和工艺管理手段保证了高质量的产品和服务标准。

我们开拓进取,追求卓越,在成功的经验和失败的教训中不断学习成长!我们为曾经创造的辉煌而自豪,更为我们即将起航新的旅程而激动不已。

宁波全讯精密机械有限公司传承着中国企业优良的企业文化,秉承着中国企业“勇于跨越,追求卓越”的,豪迈情怀和执着追求,本着诚实守信的原则,在履行企业使命的同时,不断自我完善,不断超越自我,精益求精,全面打造精密产业,推动企业从优秀走向卓越。

“People-oriented value creation and innovation enterprise guidance industry” to create value for customers, is our consistent persistence: in this process of persistence, we will “product quality” and “service quality” throughout the concept. The company specially sets up a production space which has the production research and development, specialized introduces the high-tech production equipment, makes the enterprise core competitiveness. Create value by innovation; To create visionary products, to provide customers with high quality, high reliability products, excellent staff demanding every detail. The company attaches great importance to the introduction of professional design talents, the use of new technology, adhering to the international and local integration of the design concept, encourage innovation, the pursuit of quality, pay attention to the quality of products to achieve 100 percent let customers rest assured. Advanced production equipment, testing instruments and process management ensure high quality products and service standards.

We forge ahead, the pursuit of excellence, in the successful experience and the lessons of failure to learn and grow! We are proud of the achievements we have made, and excited that we are about to embark on a new journey.

Ningbo all confidential machinery co., LTD., inheriting the excellent Chinese enterprise culture, adhering to the Chinese companies “have the courage to cross, the pursuit of excellence”, bold feelings and persistent pursuit, in line with the principle of honesty and trustworthiness, in the performance of the enterprise mission, at the same time constant self-improvement, continuously surpass ourselves, keep improving, comprehensive build precision industry, promote enterprise from good to great.



管理理念

专注、严谨、服从、团队

营销理念

为客户创造更多附加值  
真诚服务

工作理念

创新、精进、极度认真  
工作造就人格  
事业升级人性

核心价值观

利他、以身作则、崇尚荣誉  
智慧、诚信、仁慈  
勇敢、严谨



## CORPORATE CULTURE CONCEPT 文化理念

专业 / 专注 / 持续

宁波全讯精密机械有限公司成立于2017年, 本公司专业致力于机械零部件的生产与加工。凭借资深雄厚的技术实力, 产品广泛应用于汽车核心部件、高端医疗器械、智能家居、电动工具、无人机、办公用品、节能空调、水泵、精密电机等领域。

公司强化以人为本, 树立人是企业生产力第一要素的人才观念。强化协做意识, 树立资源共享用智慧竞争的务实观念勇于合作, 互补共进, 资源共享, 用智慧竞争是公司提高盈利能力和健康水平的最好选择。源于历史的积淀, 现实的努力, 以及对未来的追求。背负光荣历史与未来梦想的一全讯精密, 面对产业结构调整升级的机遇和挑战, 将秉承“勇于竞争追求一流”的企业精神, 锐意进取、开拓创新, 为开创科学发展新局面而努力奋斗!

Ningbo quanxun precision machinery co., ltd. was established in 2017, the company is specialized in the production and processing of machinery parts. With strong technical strength, the products are widely used in automotive core components, high-end medical equipment, smart home, power tools, drones, office supplies, energy-saving air conditioning, water pumps, precision motors and other fields.

The company strengthens the people-oriented, sets up the person is the enterprise productivity the first element talent idea. It is the best choice for the company to improve the profitability and health level to strengthen the consciousness of cooperation, establish the pragmatic concept of resource sharing and intelligent competition, and have the courage to cooperate, complement each other, share resources and compete with wisdom. From the accumulation of history, realistic efforts, and the pursuit of the future. Bearing the glorious history and the future dream of a whole news precision, in the face of the industrial structure adjustment and upgrading opportunities and challenges, will uphold the "dare to compete and pursue first-class" spirit of enterprise, forge ahead, pioneering and innovative, to create a new situation of scientific development and strive!

## THE MANAGER CONCEPT

### 经营理念

诚信 / 品质 / 高效



“以心为本、客户至上、诚信透明”从客户图纸到实现产品加工生产, 为每位客户量身打造, 全讯公司依托丰富的行业经验和雄厚的技术实力, 根据不同的工作环境和不同的传动标准, 综合衡量设计出符合客户要求的工艺路线, 提供高性价比的加工方案。

“Take heart as this, the customer is supreme, the good faith transparent” from customer drawings to realize product processing production, tailored for each customer, the company relying on a wealth of industry experience and strong technical strength, according to the different working conditions and different transmission standards, process routes of the comprehensive measure designed to meet the requirements of customers, to provide cost-effective processing scheme.



## TEAM ELEGANT DEMEANOUR

### 团队风采

梦想 / 拼搏 / 进取



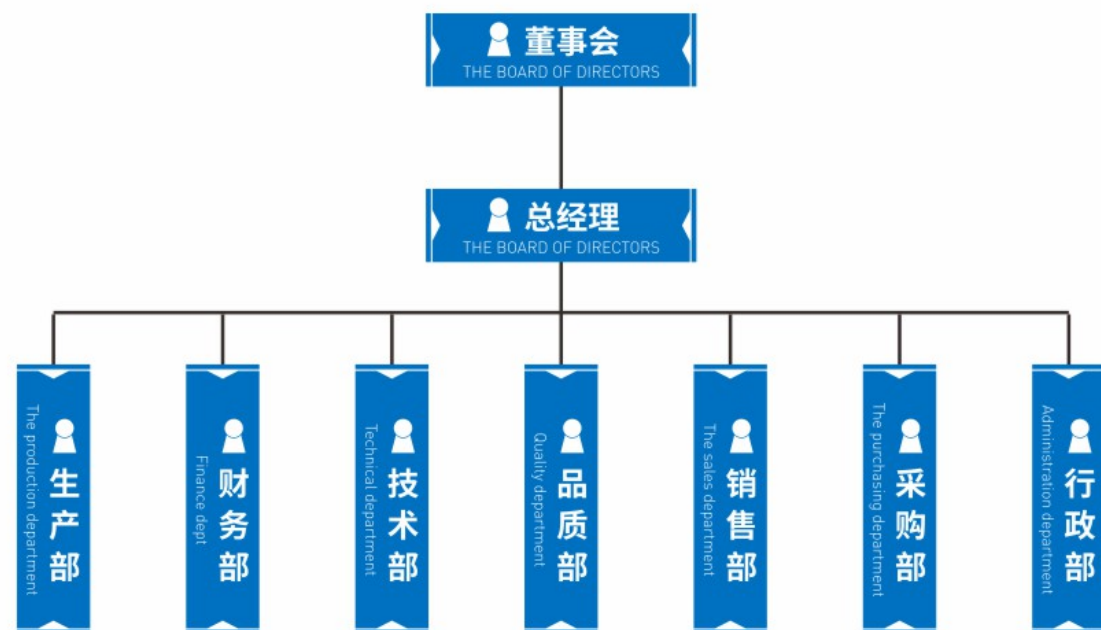
我们是一支敢于梦想、勇于拼搏、不断进取的团队。我们生活在这个地方。它给了我温暖, 给了我希望, 给了我力量。这里不论是机灵活泼的“捣蛋鬼”还是刻苦勤奋的“老实人”, 我们时时刻刻都在努力, 打造新天地。

We are a team with the courage to dream, to struggle and to forge ahead. We live in this place. It gives me warmth, it gives me hope, it gives me strength. Here whether it is clever and lively "troublemaker" or hard-working "honest man", we are always working hard to create a new world.

# THE STRUCTURE OF THE ORGANIZATION

## 组织结构 >

专业 / 专注 / 持续



我们的团队, 多年以来, 一直呈现着一个持续快速健康发展的良好态势, 我们的员工队伍一直保持着凝心聚力乘势而上的良好的精神风貌。

Our team, over the years, has been showing a sustained, rapid and healthy development of the good momentum, our staff has kept a good spirit of cohesion and momentum.

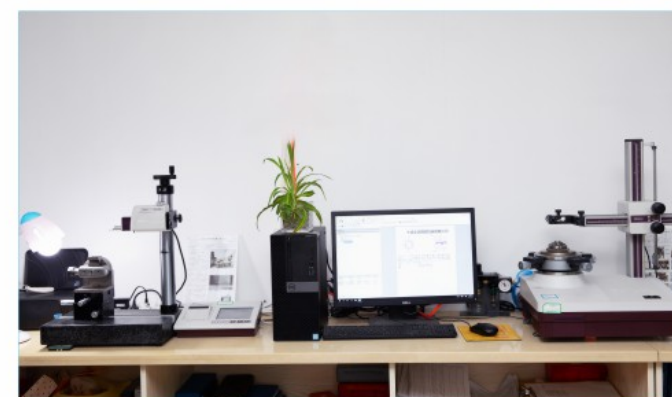
# DEVICE DISPLAY

## 设备展示 >

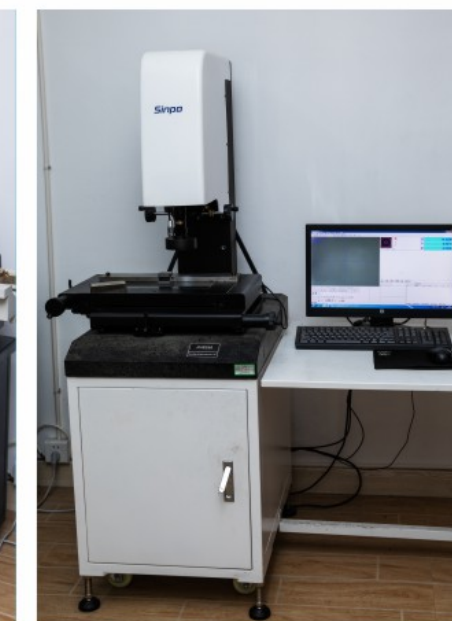
引进日本和德国的先进工艺设备和管理模式



先进的办公设备, 确保零件尺寸的检测精度, 符合产品的要求。为保证出厂产品的质量, 装配后的产品100%通过出厂实验, 并且每个产品的测试数据保存在电脑服务器内, 确保产品数据的唯一性及准确性。



Advanced office equipment to ensure the size of the parts of the detection accuracy, in line with the product requirements. In order to ensure the quality of the ex-factory products, 100% of the assembled products pass the ex-factory experiment, and the test data of each product is kept in the computer server to ensure the uniqueness and accuracy of the product data.



# WORKSHOP SHOW

## 车间展示

引进日本和德国的先进工艺设备和管理模式



公司拥有先进的设备,确保零件尺寸的检测精度,符合传动配件的要求。为保证出厂产品的质量,引进外国知名品牌的加工设备,传动轴芯配件100%通过出厂实验,并且每个产品的测试数据保存在电脑服务器内,确保产品零件的加工精度,保证产品的一致性,通配性。

The company has advanced equipment, to ensure the size of parts of the detection accuracy, in line with the requirements of the transmission accessories. In order to ensure the quality of the ex-factory products, we have introduced the processing equipment of foreign famous brands. The drive shaft core parts have passed the ex-factory experiment 100%, and the test data of each product is kept in the computer server, so as to ensure the processing accuracy of product parts, ensure the consistency and compatibility of products.



# THE CORE PRODUCT

## 产品核心

诚信 / 品质 / 高效

- 01 领先的研发设计**  
 由20余名各类资深技术人员,70余名一线员工组成的生产团队确保策划、设计、制造、检测等项目开发过程。
- 02 标准化生产体系**  
 由日本、德国进口的各类高精度全自动旋风铣设备、高精度无心磨床、数控外圆磨床等各种专业设备组成了标准化的生产流水线。
- 03 多元化服务体系**  
 全讯的核心业务为精密蜗杆及传动部件,丝杆、花色轴、精密零部件、伺服电机、新能源电机等多领域稳步发展。
- 04 国际化质量标准**  
 公司严格遵守质量管理体系的国际标准,先后引进IATF16949认证体系和欧盟ROHS认证体系。
- 05 先进的管理模式**  
 引进SAP, POM国际领先的生产及项目管理软件,持续改善企业信息化程度。



质量管理体系认证证书

# TEST CENTER 检测中心

引进日本和德国的先进工艺设备和管理模式

## P26克林贝格测量中心

P26齿轮测量中心经过克林贝格集团数十年齿轮测量技术的发展和改进,满足了工件直径260毫米以内的齿轮领域的所有测量任务的需求。P26齿轮测量中心的先进结构性能确保了全自动的测量过程,能以极高的测量速度达到极高的测量精度,且操作简单方便,从而保证了设备的最经济的使用。

测量机可以检测各种不同结构设计的直齿和斜齿圆柱齿轮以及各种齿轮刀具,如插齿刀、剃齿刀和滚刀。也可以检测蜗轮、蜗杆、直齿锥齿轮和螺旋锥齿轮。此外,还可检测旋转对称工件(轴类)的尺寸和形位误差,以及凸轮和平面凸轮的运转轨迹。

### P26 KLINGBERG MEASUREMENT CENTER

P26 gear measuring center through decades of development and improvement of klingberg group gear measuring technology, to meet the requirements of all measuring tasks in the gear field within the diameter of 260 mm workpiece. The advanced structural performance of P26 gear measuring center ensures the automatic measuring process, can reach the very high measuring accuracy at the very high measuring speed, and the operation is simple and convenient, thus ensuring the most economical use of the equipment.

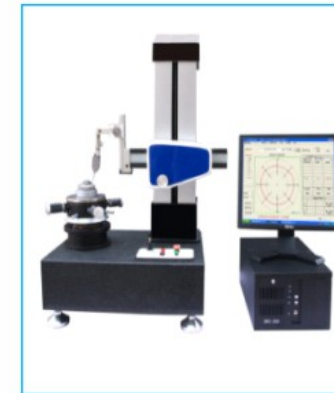
The measuring machine can detect a variety of straight and helical gear and gear tools such as gear shaper, gear shaver and hob. Also can detect worm gear, worm, straight tooth bevel gear and spiral bevel gear. In addition, it can also detect the size and shape and position errors of rotating symmetric workpiece (shaft), and the running track of CAM and plane CAM.

### 主要操作项目

- ◆ 评估齿形和齿向
- ◆ 检测阿基米德蜗杆(ZA)、法向直廓蜗杆(ZN)、直槽法向直廓蜗杆(N\*)、渐开线蜗杆(ZI)、ZX型蜗杆和ZK型蜗杆横截面内的螺距
- ◆ 测量齿厚及/或跨球测量
- ◆ 测量齿向和齿形的扭曲状态
- ◆ 可检测齿形的始端形、中心形和末端形
- ◆ 按最大2毫米的径向跳动误差和端面跳动误差确定轴向位置
- ◆ 可保存多至50000个工件的数据

### MAIN OPERATING ITEMS

- ◆ assess tooth shape and tooth orientation
- ◆ detect the screw pitch in the cross section of Archimedes worm (ZA), normal straight profile worm (ZN), straight slot normal straight profile worm (N\*), involute worm (ZI), ZX worm and ZK worm
- ◆ measure tooth thickness and/or cross ball measurement
- ◆ measure the distortion state of tooth direction and tooth shape
- Can detect the beginning end shape, center shape and end shape of the tooth shape
- ◆ determine the axial position according to the maximum 2 mm radial run-out error and end face run-out error
- ◆ the data of up to 50000 artifacts can be saved



三丰RA-120P圆柱度仪

径向:  $\pm(0.04+5H/10000)$   
轴向:  $\pm(0.04+6X/10000)$   
承载重量: 15Kg  
测量直径: 4200mm



三丰SJ-41粗糙度仪

X行程: 50mm  
Z1行程: 800 $\mu$ m  
示值误差:  $\pm 5\%$   
直线度: 0.4 $\mu$ m



新天光电JX-13C万功显

X, Y行程: 200\*100mm  
Xy分辨率: 0.0002  
物镜放大率: 5X  
总放大率: 200X



Sinpo JVB250投影仪

X, Y, Z行程: 250150200mm  
XY测量精度: 3+L/200 $\mu$ m  
重复性: 2 $\mu$   
光栅尺分辨率: 0.5 $\mu$

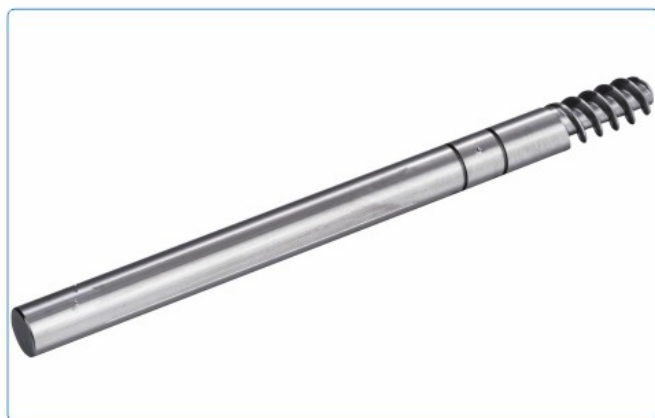


# PRODUCT DISPLAY

## 产品展示 >

匠心 / 精湛 / 工艺

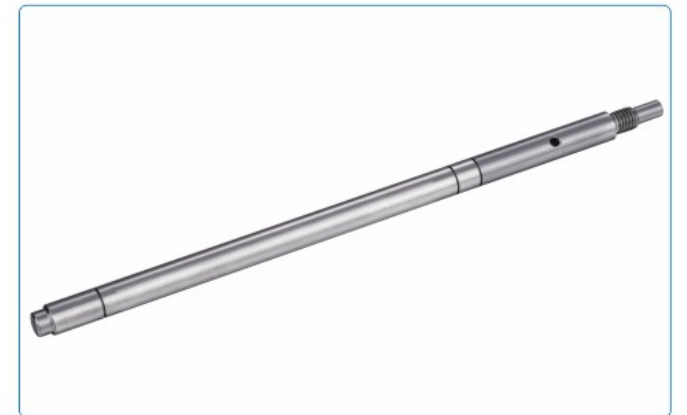
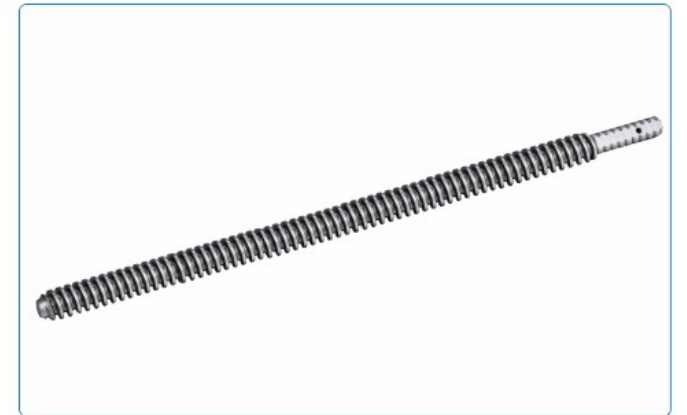
### 蜗杆 / WORM





➔ 大蜗杆 / A BIG WORM





其它 / OTHER

